

AquaShield®



The **AquaShield®** design integrates the reliable baseboard style system with the tried-and-true subfloor tile system.

The **AquaShield®** System sits on top of the foundation footing, above the dirt line, which can plug a traditional drain tile system. AquaShield® has an open back will not restrict water flow, instead water is collected for the full length of the system.

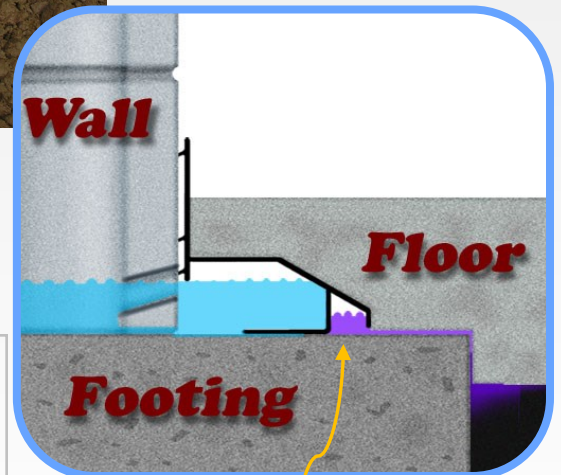
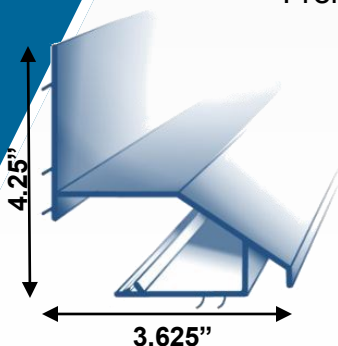
The **Encapsulation Membrane** creates a permanent moisture barrier between the concrete foundation walls and the finished materials. It is made of inorganic materials so it will never mold or mildew.



AquaShield® is engineered not to sit in the dirt, so clogging from silt and sediment is never an issue.

AquaShield® is constructed entirely of PVC material and adapts flawlessly to all contours on the job site. AquaShield® is a non-clogging alternative to traditional

French drains, and since it sits on top of the foundation footing, instead of the dirt it will never clog! traps the hydrostatic pressure with the two rubber seals and uses the hydrostatic pressure to drive water seepage towards the sump pump.



Leak Guard is a secondary channel that keeps water from building up under the seam between the floor and new cement.